

WX_{MK2} series

User & Installation

Manual



Introduction

Universal wall speaker

The WXMK2 loudspeaker series is designed to be a universal performance speaker, ensuring true-to-nature, high fidelity reproduction of music and speech in every environment, ranging from modern residential applications to the most demanding designer applications in environments such as retail stores, pubs, restaurants and even clubs.

It features a stunningly designed and elegant looking ABS housing which is fitted with high quality components. The speaker is available in three sizes, 3", 5 1/4" and 8". All speakers are available in black and white, making them blend into every environment, going from standard indoor home to special indoor design interiors. The included mounting bracket allows horizontal and vertical mounting as well as focusing of the speaker, and an integrated advanced protection network protects the tweeter against overload.

Precautions

READ FOLLOWING INSTRUCTIONS FOR YOUR OWN SAFETY

- ALWAYS KEEP THESE INSTRUCTIONS FOR FUTURE REFERENCE. NEVER THROW THEM AWAY
- ALWAYS HANDLE THIS UNIT WITH CARE
- CLEAN ONLY WITH DRY CLOTH
- HEED ALL WARNINGS AND FOLLOW ALL INSTRUCTIONS
- NEVER EXPOSE THIS EQUIPMENT TO RAIN, MOISTURE, ANY DRIPPING OR SPLASHING LIQUID. AND NEVER PLACE AN OBJECT FILLED WITH LIQUID ON TOP OF THIS DEVICE
- DO NOT INSTALL THIS UNIT NEAR ANY HEAT SOURCES SUCH AS RADIATORS OR OTHER APPARATUS THAT PRODUCE HEAT
- DO NOT PLACE THIS UNIT IN ENVIRONMENTS WITH A HIGH LEVEL OF DUST, HEAT, MOISTURE OR VIBRATION
- THIS UNIT IS DEVELOPED FOR INDOOR USE ONLY. DO NOT USE IT OUTDOORS
- ONLY USE ATTACHMENTS & ACCESSORIES SPECIFIED BY THE MANUFACTURER.
- ONLY INSTALL THE SPEAKER IN LOCATIONS THAT CAN STRUCTURALLY SUPPORT THE WEIGHT OF THE SPEAKER. IGNORING THIS CAN BRING THE SPEAKER DOWN.
- DO NOT USE ANY OTHER METHOD THAN SPECIFIED TO MOUNT THE SPEAKER. IF EXTREME FORCE IS APPLIED TO THE SPEAKER, IT COULD FALL DOWN
- ATTACH A SAFETY WIRE TO THE SPEAKER WHEN IT IS MOUNTED HIGH UP. ONLY USE INDUSTRY-ACCEPTED RIGGING TOOLS AND METHODS
- CAREFULLY CHECK THE UNIT'S CONDITION AFTER UNPACKING. IF THERE IS ANY DAMAGE TO THE CARTON BOX OR THE UNIT ITSELF, INFORM YOUR VENDOR IMMEDIATELY.
- ALWAYS FOLLOW THE LOCAL REGULATIONS AND REQUIREMENTS REGARDING INSTALLATION, SUSPENSION AND CONNECTION OF THIS LOUDSPEAKER. EVEN WHEN OTHERWISE SPECIFIED IN THIS DOCUMENT.
- THE INSTALLATION OF THIS LOUDSPEAKER SHALL BE DONE BY QUALIFIED PERSONNEL ONLY.

CAUTION

- USE CABLES OF THE RIGHT GAUGE TO CONNECT THE LOUDSPEAKER
- USE CABLES WITH CLEAR COLOUR CODING INDICATING THE POLARITY AND MAINTAIN THE SAME POLARITY THROUGHOUT THE WHOLE SYSTEM.
- ONLY USE THE CORRECT AMPLIFIER OUTPUT VOLTAGE AND IMPEDANCE. EXCEEDING THESE LIMITS COULD CAUSE FIRE OR OTHER FAILURES.
AVOID EXPLOSIONS: DO NOT USE THE SPEAKER AROUND GASOLINE, THINNER OR OTHER COMBUSTIBLES
- AVOID ELECTRIC SHOCKS: SWITCH OFF THE AMPLIFIER WHEN CONNECTING THE LOUDSPEAKER
- DO NOT USE THE LOUDSPEAKER FOR AN EXTENDED PERIOD OF TIME AT DISTORTED SOUND. THIS COULD CAUSE PERMANENT DAMAGE.



CAUTION – SERVICING

This product contains no user serviceable parts. Refer all servicing to qualified service personnel. Do not perform any servicing (unless you are qualified to do so.)



EC DECLARATION OF CONFORMITY

This product conforms to all the essential requirements and further relevant specifications described in following directives: 2014/30/EU (EMC) and 2014/35/EU (LVD)



WASTE ELECTRICAL AND ELECTRONIC EQUIPMENT (WEEE)

The WEEE marking indicates that this product should not be disposed with regular household waste at the end of its product life. This regulation is created to protect both the environment and human health.

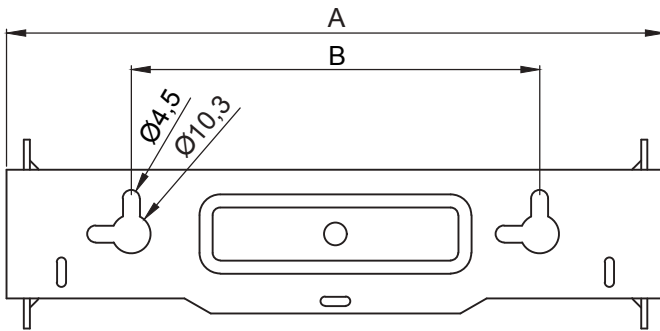
This product is developed and manufactured with high quality materials and components which can be recycled and/or reused. Please dispose this product to your local collection point or recycling centre for electrical and electronic waste. This will make to sure that it will be recycled on an environmentally friendly manner, and will help to protect the environment in which we all live.

Installing the WXMK2

Step 1: Mount the loudspeaker

The loudspeaker can be mounted both horizontally and vertically by means of the supplied mounting bracket. For mounting the loudspeaker on the desired mounting location, the mounting bracket should be removed from the loudspeaker. This can be done by loosening the thumbscrews on either side of the loudspeaker. After this is done, the mounting holes should be indicated.

For a stable mounting of the loudspeaker it should always be fastened by two screws. The position of the mounting holes depends on the mounting orientation, horizontally or vertically. After this, the bracket can be mounted on the desired location. Always use the proper fasteners depending of the mounting surface. Once the bracket is mounted on the desired location, the loudspeaker can be fixed to the bracket.



| | A | B |
|----------|----------|----------|
| WX302MK2 | 174 mm | 108 mm |
| WX502MK2 | 219 mm | 160,4 mm |
| WX802MK2 | 280,5 mm | 248 mm |

Step 2: Power settings

On the rear side of the WXMk2 series loudspeakers, a recessed adjuster screw is provided. Using this adjuster screw the power / impedance of the loudspeaker can be set in 3 adjustable steps of impedance for 100V and 1 step for standard low impedance applications.



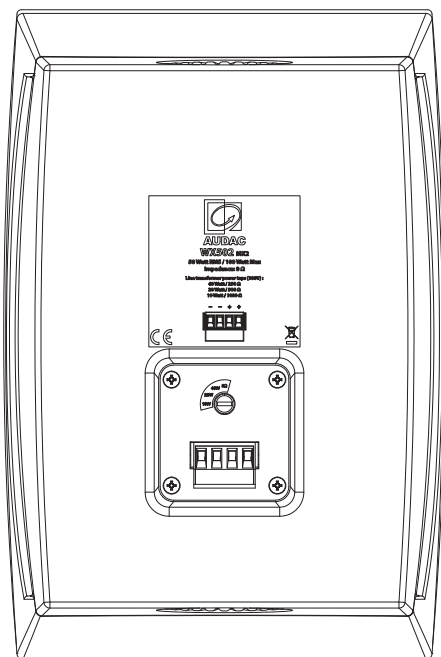
| | WX302MK2 | WX502MK2 | WX802MK2 |
|---|----------------|----------------|---------------|
| 1 | 20W (500 Ohm) | 40W (250 Ohm) | 60W (167 Ohm) |
| 2 | 10W (1000 Ohm) | 20W (500 Ohm) | 30W (333 Ohm) |
| 3 | 5W (2000 Ohm) | 10W (1000 Ohm) | 15W (667 Ohm) |
| 4 | 8 Ohm | 8 Ohm | 16 Ohm |

When the loudspeaker is connected to 70.7V facilities, the power indicated in the table above will be reduced to half the power, and when connected to 50V facilities, the power will be reduced to a quarter.

Step 3: Make the connections

A terminal block connector with linkthrough possibility is provided on the back of the loudspeaker. The connection can be made by loosening the connection screws of the terminals, inserting the wires according to the polarity as shown below. After tightening the screws, the connector can be inserted into its counterpart on the back of the speaker.

Mind the polarity markings when wiring the loudspeaker cables.



Step 4: Enjoy the music

After the WX loudspeakers have been installed correctly, you deserve to have a short break, relax and enjoy the sound of the speakers!

Additional information

| | WX302 | WX502 | WX802 |
|---------------------------------------|-----------------------------------------------------|-----------------------------------------------------|----------------------------------------------------|
| RMS Power | 30 W | 50 W | 70 W |
| Nominal Impedance | 8 Ohm | 8 Ohm | 16 Ohm |
| Line transformer power tapings | 500 Ohm / 20 W 1000 Ohm / 10 W 2000 Ohm / 5 W | 250 Ohm / 40 W 500 Ohm / 20 W 1000 Ohm / 10 W | 167 Ohm / 60 W 333 Ohm / 30 W 667 Ohm / 15 W |
| Sound pressure level 1W / 1m | 85 dB | 87 dB | 89 dB |
| Sound pressure max W / 1 m @ 8 Ohm | 100 dB | 104 dB | 108 dB |
| Sound pressure max W / 1 m @ 100V | 95 dB | 102 dB | 106 dB |
| Frequency response -3 dB | 90 Hz – 18 kHz | 90 Hz – 18 kHz | 60 Hz – 18 kHz |
| Frequency response -10 dB | 60 Hz – 20 kHz | 70 Hz – 20 kHz | 50 Hz – 20 kHz |
| Cross-over frequency | 2500 Hz | 2500 Hz | 2400 Hz |
| Horizontal coverage | 110° | 110° | 110° |
| Vertical coverage | 110° | 110° | 110° |
| Drivers | 1" HF + 3" LF | 1" HF + 5 1/4" LF | 1" HF + 8" LF |
| Connector | 4-Pin terminal Block | 4-Pin terminal Block | 4-Pin terminal Block |
| Mounting Bracket | Powder coated steel | Powder coated steel | Powder coated steel |
| Front finish | Powder coated steel grill | Powder coated steel grill | Powder coated steel grill |
| Dimensions (W x H x D) | 199 x 129 x 120 mm | 212 x 147 x 136 mm | 270 x 360 x 215 mm |
| Weight | 1,66 Kg | 2,52 Kg | 7,5 Kg |
| Construction | ABS | ABS | ABS |
| Accessories included | Wall bracket | Wall bracket | Wall bracket |

